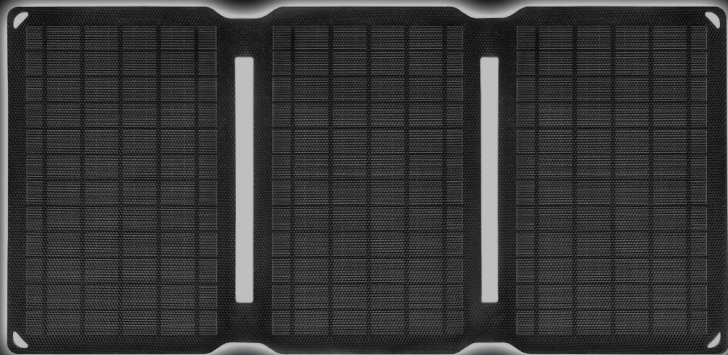


**S** Sandberg®  
**ACTIVE** 

# Solar Charger 21W 2xUSB

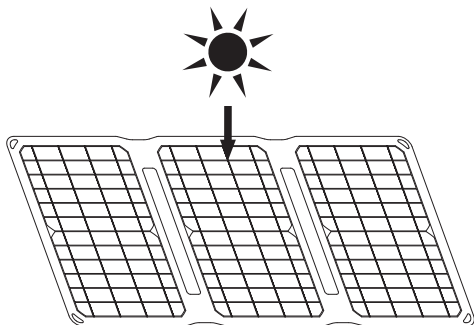
Quick guide

420-70

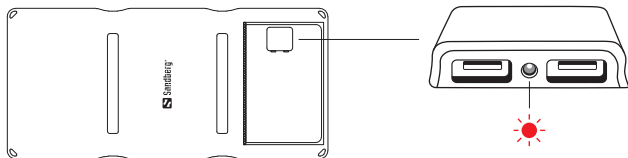


[www.sandberg.world](http://www.sandberg.world)

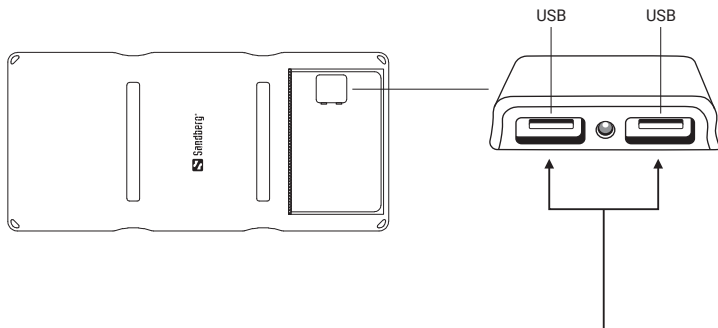
## Angling



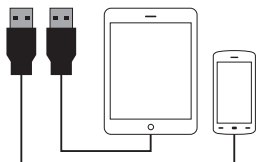
Position the solar panel in most direct angle towards the sun as possible.



## Charge devices



### Option A



Charge up to 2 devices from direct sunlight.

### Option B



Charge powerbank and stabilize your charging in weaker sunlight. **NB:** Requires powerbank to support simultaneous power in/out.



**Support**

<http://helpdesk.sandberg.world>

## Warranty

There is a five-year warranty on your Sandberg product. Please read the warranty terms and register your new Sandberg product at [www.sandberg.world/warranty](http://www.sandberg.world/warranty)

**5**

Years  
Warranty

### Solar Charger 21W 2xUSB

USB Output: 2 x 5V/2.1A (Total 21W Max)

[www.sandberg.world](http://www.sandberg.world)

Item no. 420-70

Made in China

Sandberg A/S  
Bregnerødvej 133D,  
3460 Birkeroed, Denmark



For information on handling electronic waste, see [www.sandberg.world/weee](http://www.sandberg.world/weee)