

Sandberg®
ACTIVE

Solar Powerbank CampLED 10000

Quick Guide

421-23



Sandberg® Solar Powerbank CampLED 10000
Item no. 421-23

Capacity: 10000mAh@3.7V / 37Wh

USB-C Input: 5V/3A, 9V/2A, 12V/1.5A (PD18W max)

USB-C Output: 5V/3A, 9V/2.2A, 12V/1.67A (PD20W max)

USB-A Output: 5V/3A, 9V/2A, 12V/1.5A, SCP10V/2.25A (22.5W max)

USB-C + USB-A Outputs (total): 5V/3A (15W max)

Solar panel: 250mA/5V (1.25W max)

Product weight: 303g

www.sandberg.world

info@sandberg.world

Made in China

Sandberg A/S
Bregnerødvej 133D,
3460 Birkerød, Denmark



NOTE: If not used regularly, please recharge the powerbank at least every 3 months to maintain optimal performance.

5

Years
Warranty

Warranty

There is a five-year warranty on your Sandberg product. Please read the warranty terms and register your new Sandberg product at www.sandberg.world/warranty

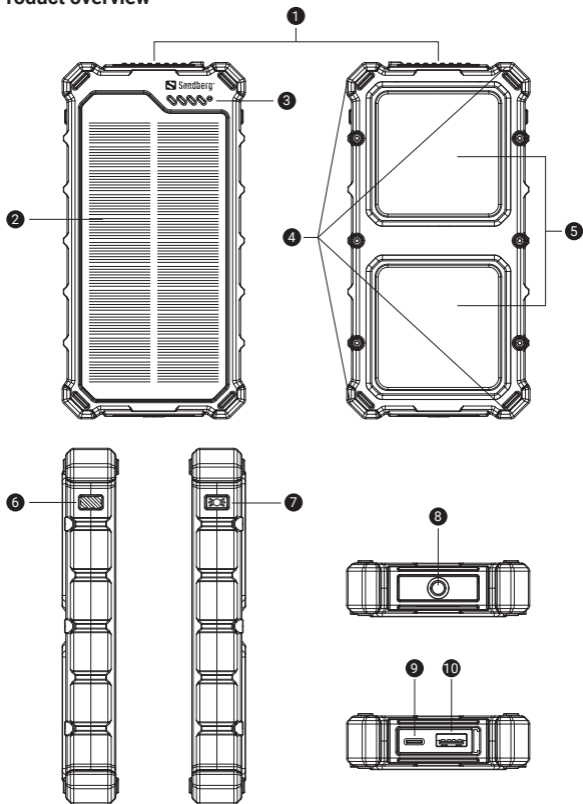
www.sandberg.world

Support: helpdesk.sandberg.world



For information on handling electronic waste, see www.sandberg.world/weee

Product overview



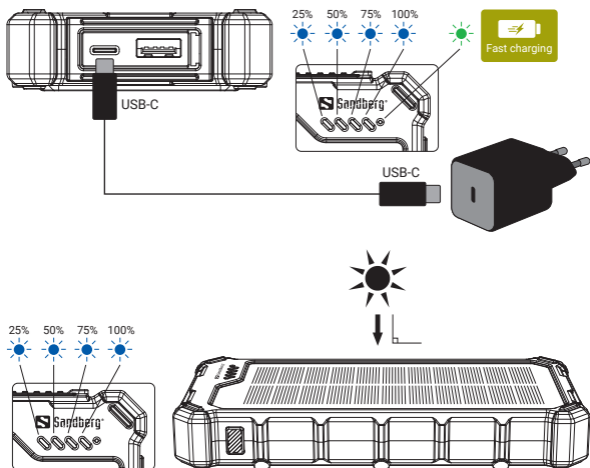
1. Silicone cover
2. Solar panel
3. Power Indicator

4. 4 TPU corners
5. LED light
6. Power button

7. LED light button
8. 1/4-20" screw mount
9. USB-C

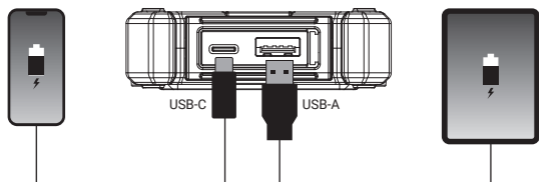
10. USB-A

Charge Powerbank



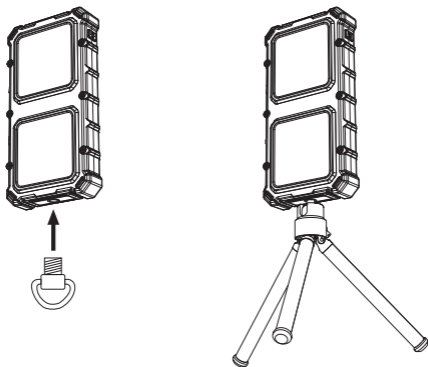
Battery mAh	Battery Watt-hours	Solar panel Watt	Charging time by sun (0-25%)	Charging time by USB C 18W
10000	37 Wh	1.25W	8 hours	2.5 hours

Charge devices



Example of use

1/4-20" screw mount



Flashlight procedure

